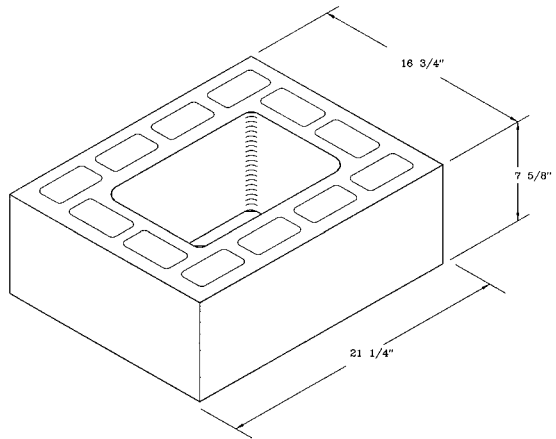
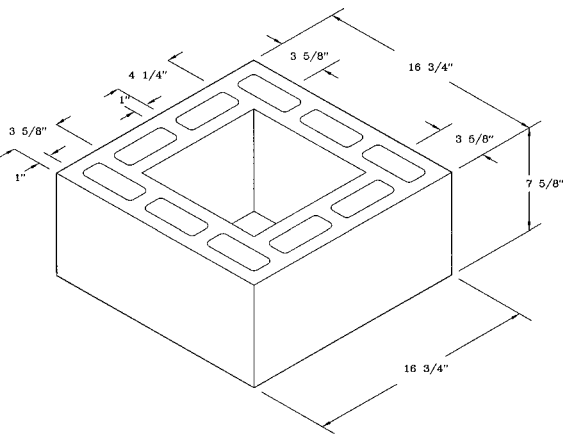


Speciality CMU

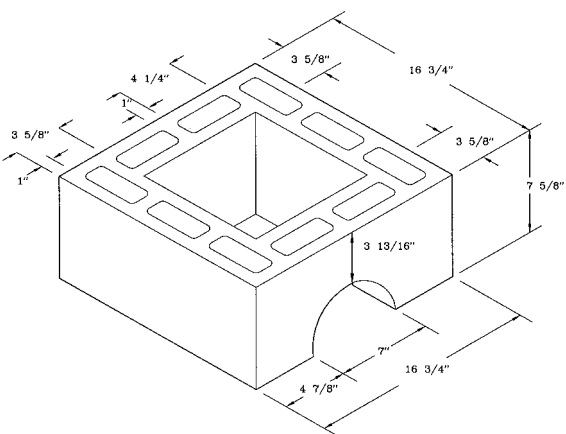
REG170821 Flue



REG160816 Flue



REG160816 Flue w/ Opening



Left Blank Intentionally

Left Blank Intentionally