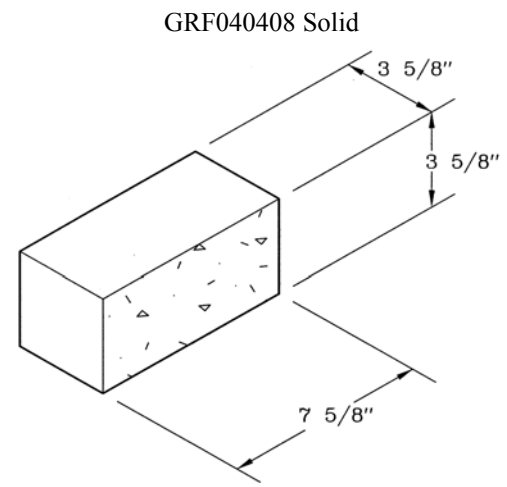
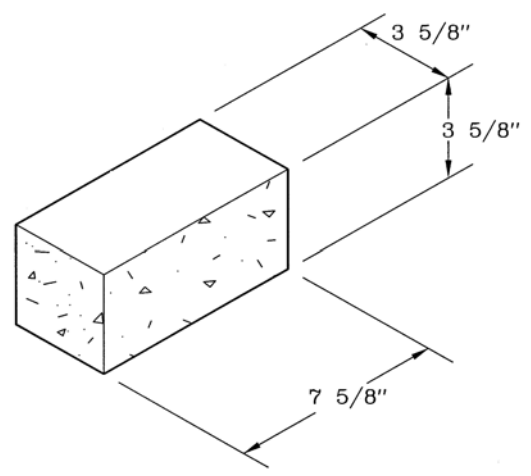


**4" Ground Face
CMU**



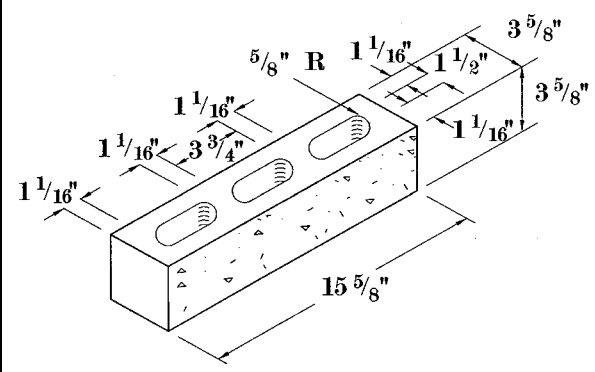
GRF040408 Solid

4x4x8 Solid Ground Face CMU



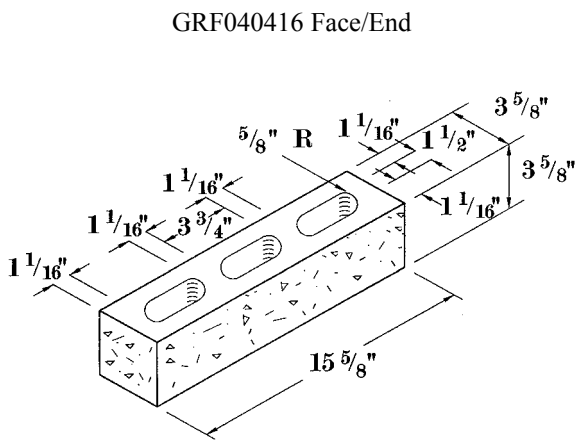
GRF040408 Solid Face/End

4x4x8 Solid Ground Face/End



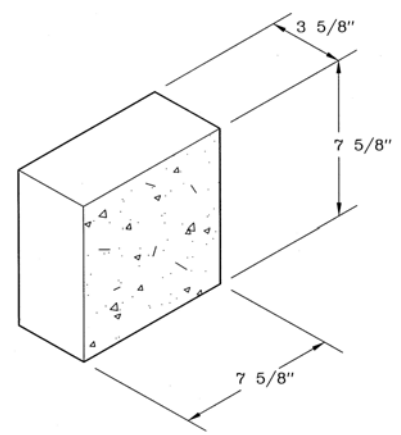
GRF040416 CMU

4x4x16 Ground Face CMU



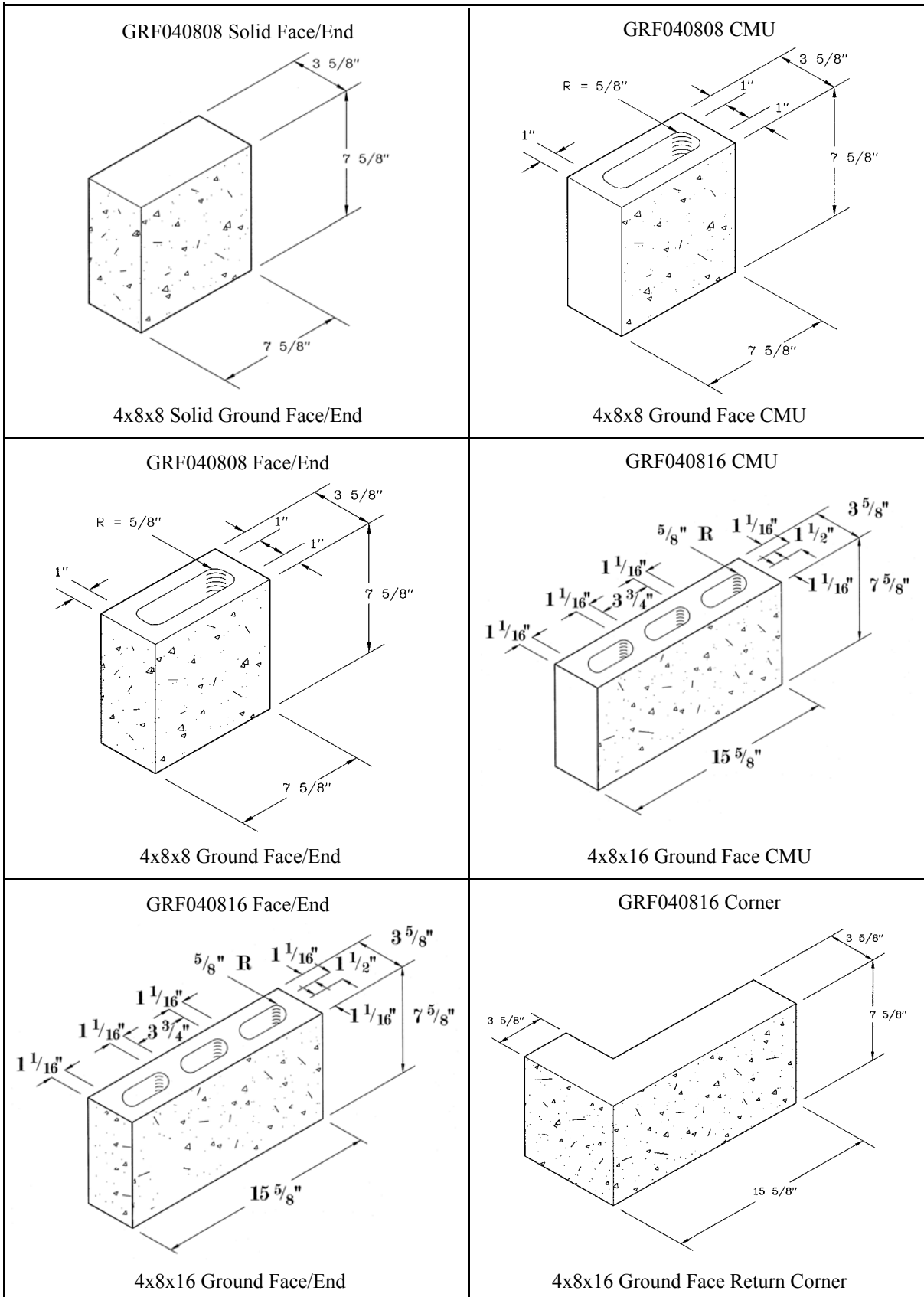
GRF040416 Face/End

4x4x16 Ground Face/End

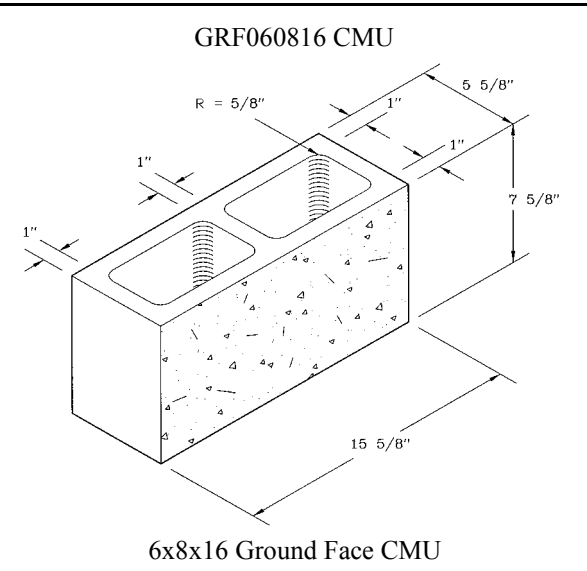
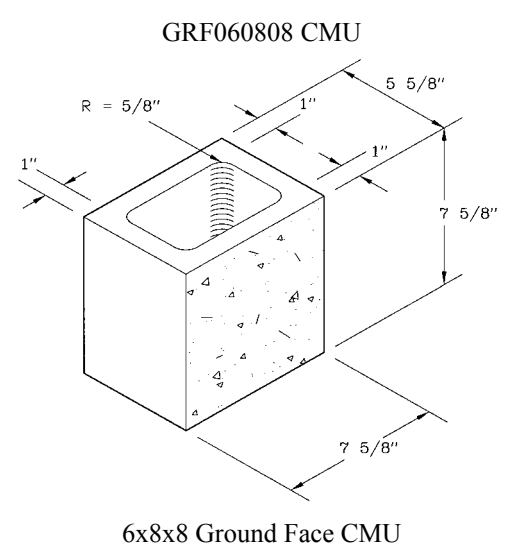


GRF040808 Solid

4x8x8 Solid Ground Face CMU

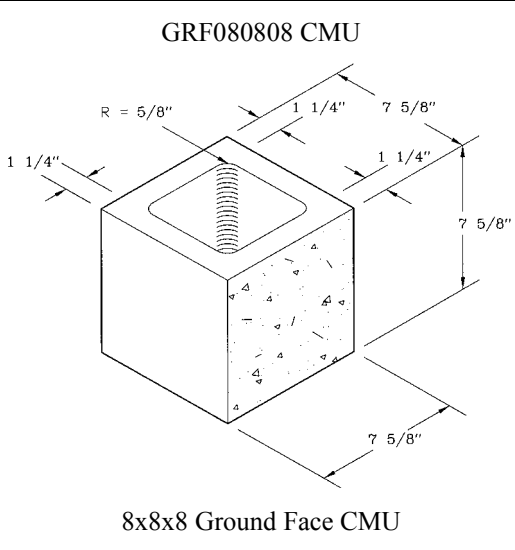


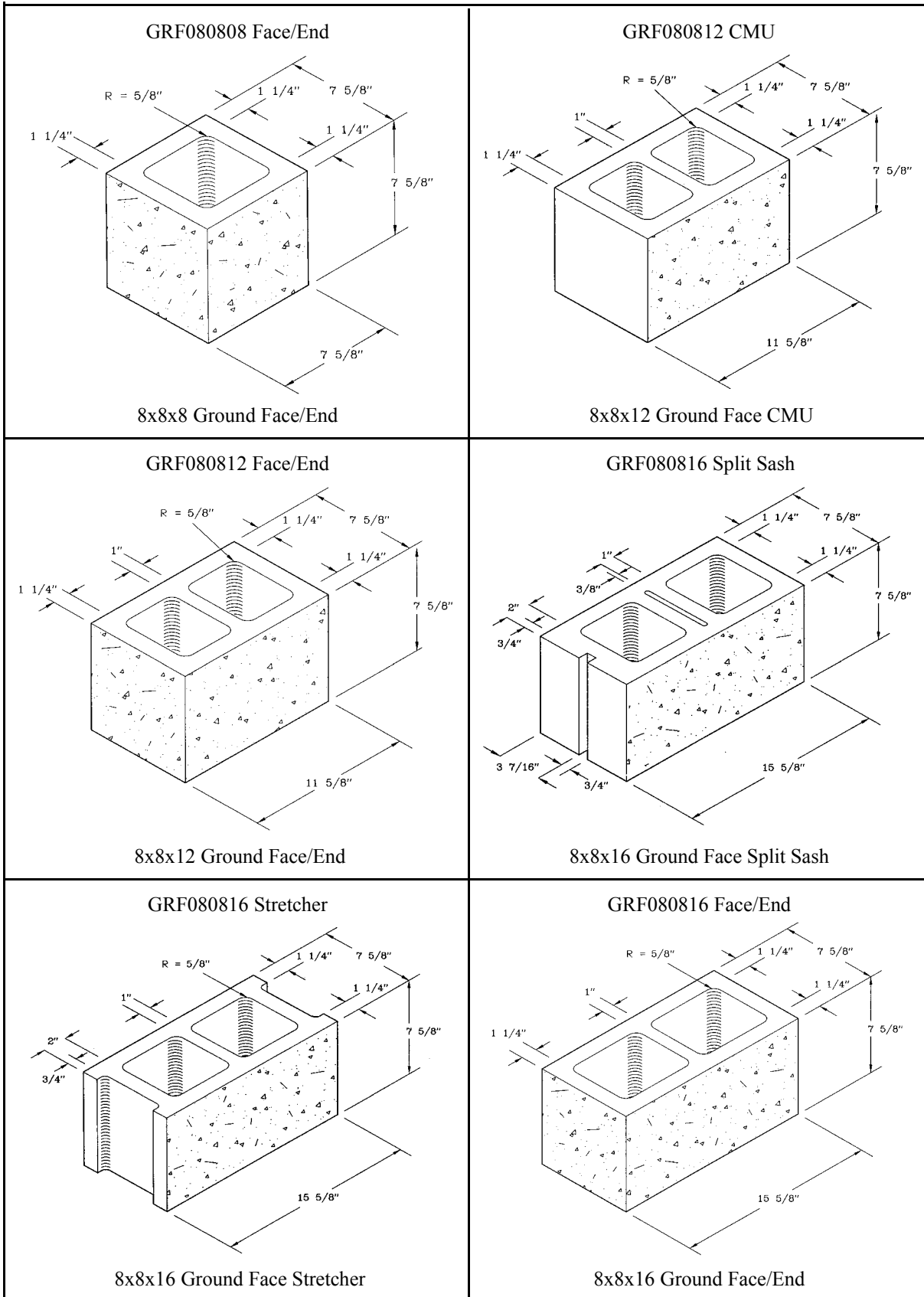
**6" Ground Face
CMU**



Left Blank Intentionally

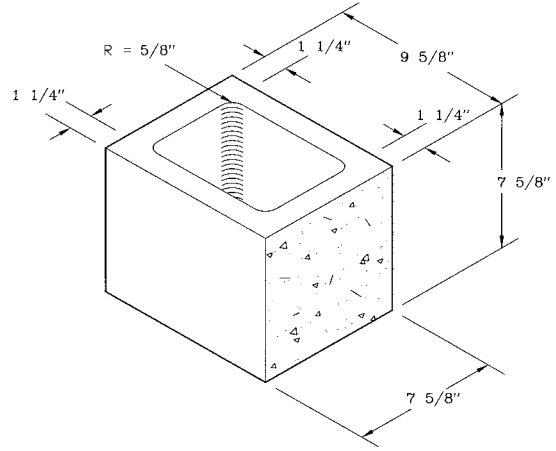
**8" Ground Face
CMU**





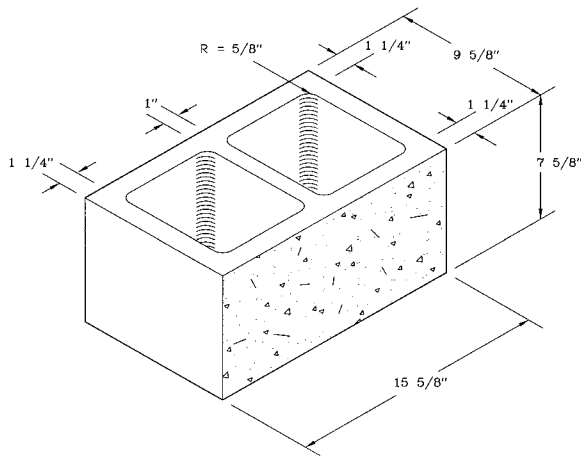
**10" Ground Face
CMU**

GRF100808 CMU



10x8x8 Ground Face CMU

GRF100816 CMU

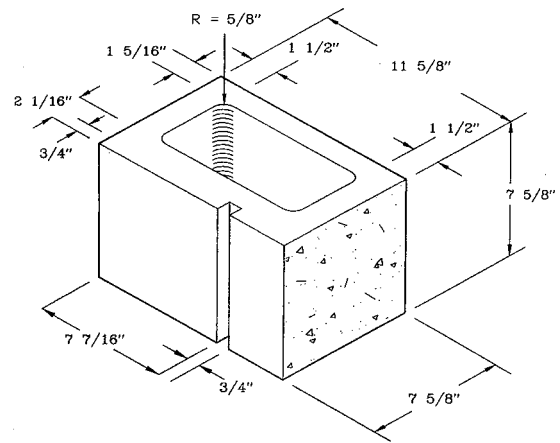


10x8x16 Ground Face CMU

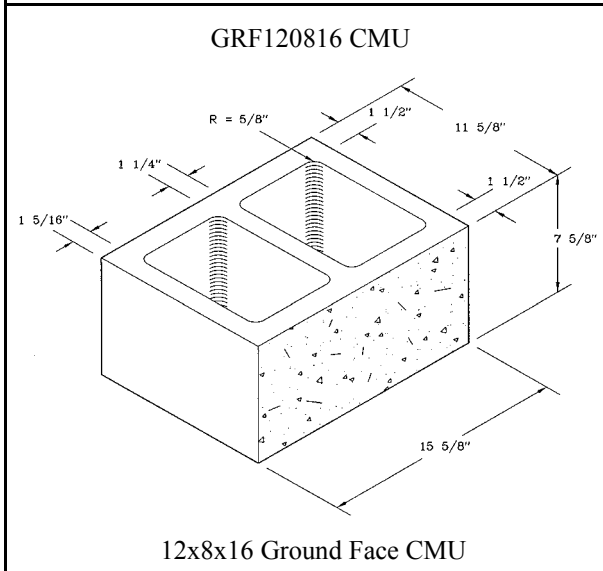
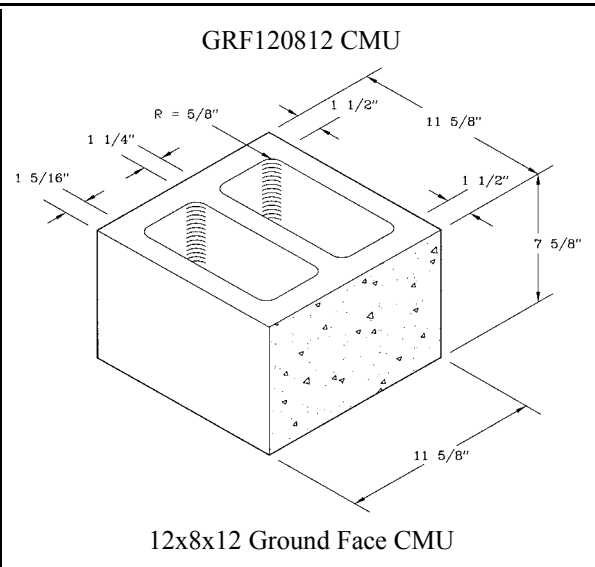
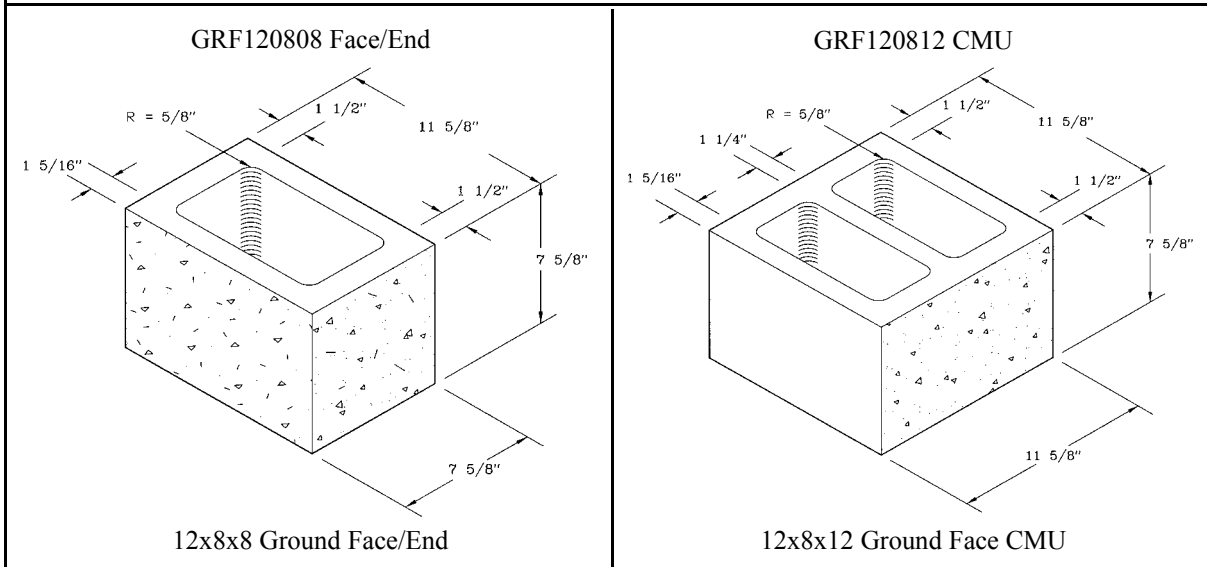
Left Blank Intentionally

**12" Ground Face
CMU**

GRF120808 Sash

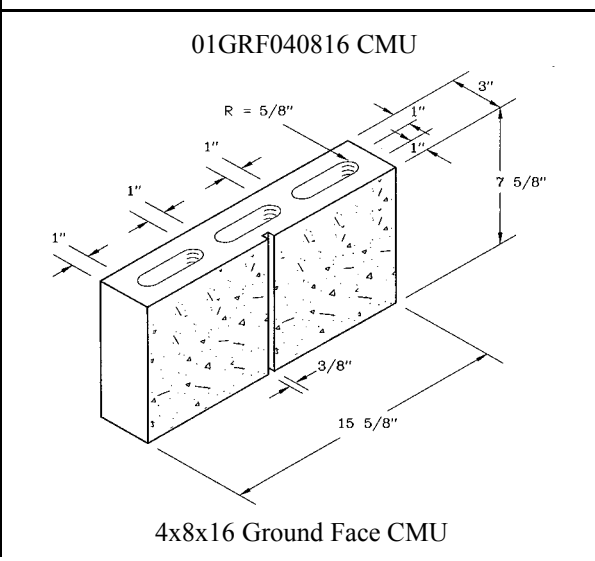


12x8x8 Ground Face Sash

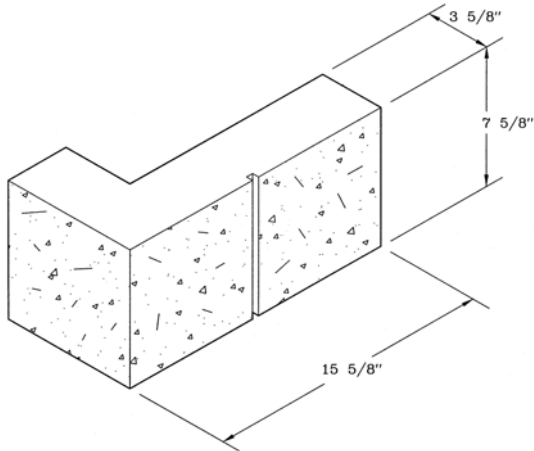


Left Blank Intentionally

4" Scored Ground Face CMU



01GRF040816 Corner

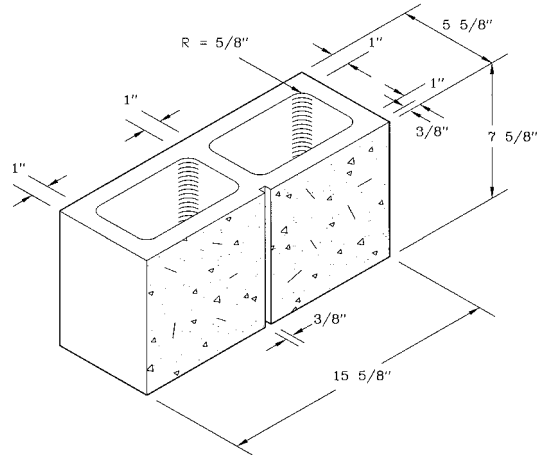


4x8x16 Scored Ground Face Return Corner

Left Blank Intentionally

**6" Scored Ground
Face CMU**

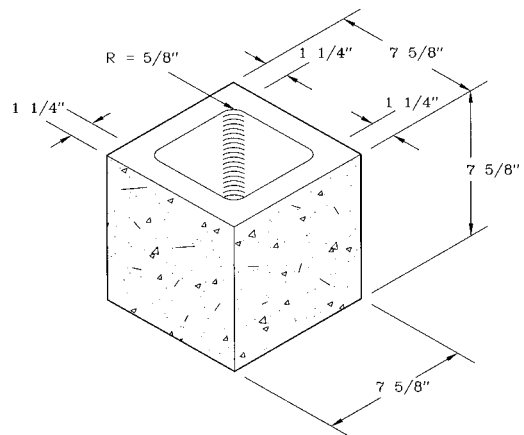
01GRF060816 CMU



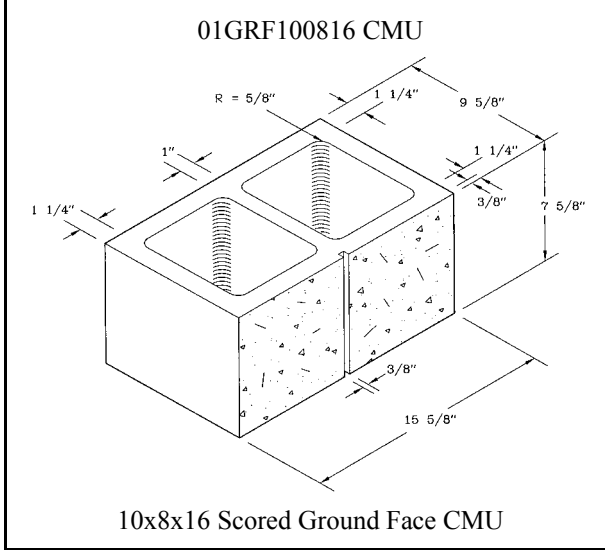
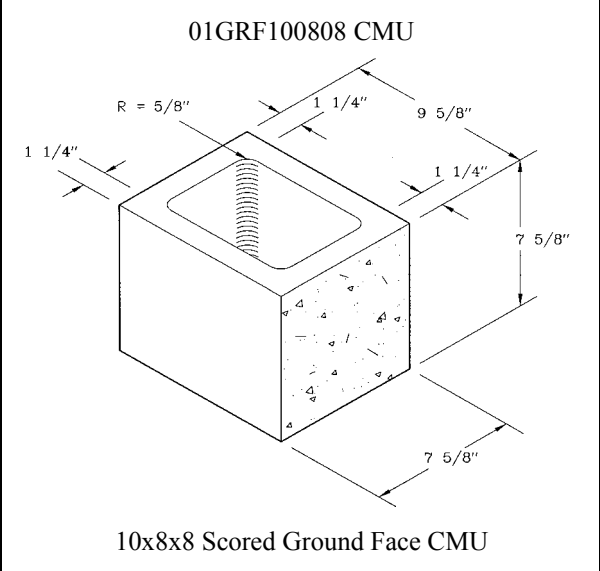
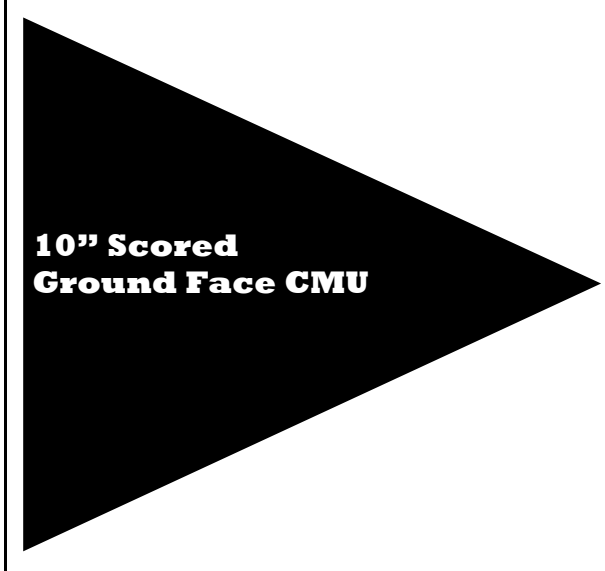
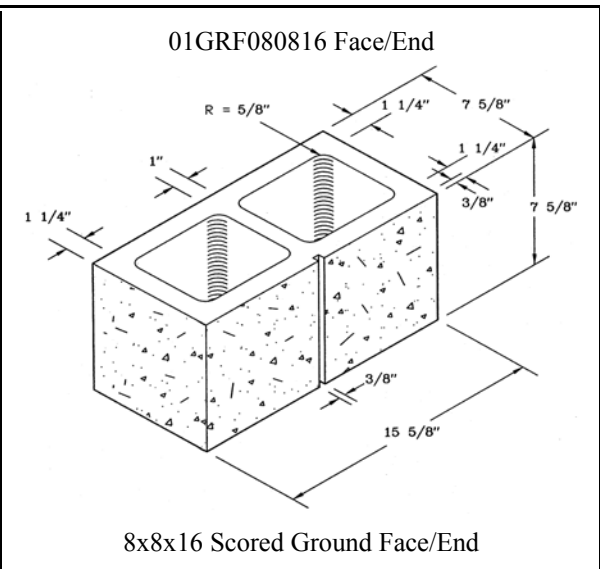
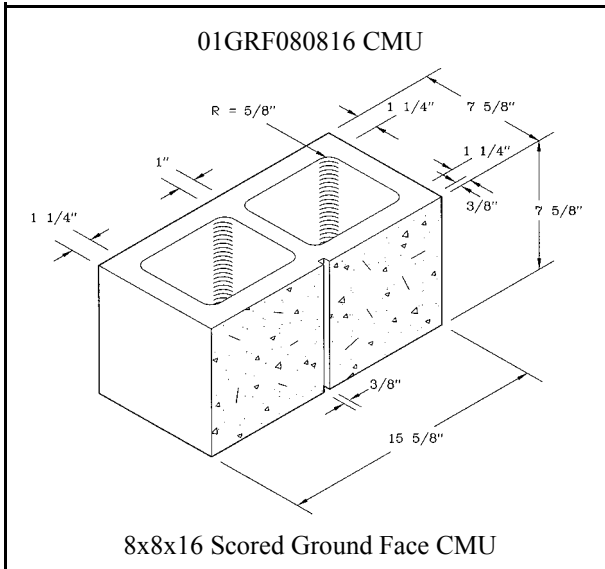
6x8x16 Scored Ground Face CMU

**8" Scored Ground
Face CMU**

01GRF080808 Face/End



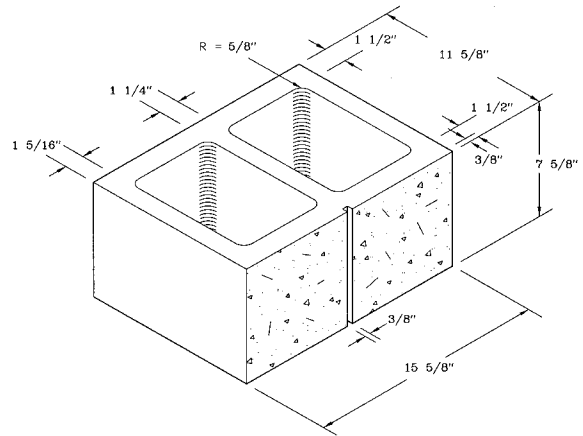
8x8x8 Scored Ground Face/End



Left Blank Intentionally

**12" Scored
Ground Face CMU**

01GRF120816 CMU



12x816 Scored Ground Face CMU

Left Blank Intentionally

Left Blank Intentionally

Left Blank Intentionally

Left Blank Intentionally